

REFUSE TRUCK PUSHER 4000



APPLICATION

- Household refuse
- Bulky waste
- Wet fraction
- Industrial refuse

AVAILABLE VOLUME CAPACITIES

- From 18m³ up to 27m³

MOUNTING ON CHASSIS

- Front: spring connection
- Rear: fixed connection

REFUSE COLLECTOR

- Consists of 2 sides plates, 1 surface plate and 1 base plate
- Continuous welded steel plate
- Smooth surface to the inside of the body
- Watertight hopper seal between body and tailgate from loading plane to the top hinge
- Complete with body liquid catchments trough and drain

TAILGATE

- Directly mounted at the rear of the refuse body and hinged at the top
- Opening and closing by 2 hydraulic cylinders with chrome-plated rods and security valves

HOPPER

- Voluminous hopper with a capacity from 2500l up to 3200l
- Extremely large loading rave 2,14m
- Hopper base plate made from hardwearing steel plate - thickness 6mm complete with a drain for liquid

COMPACTING SYSTEM

- Consists of 1 carrying plate (thickness 5mm) moving up and down and a packer plate (thickness 6mm) pivoting at the end of the carrying plate
- Carrying plate operated up and down by 2 double acting rams. Cylinder dia: 115mm - rod dia: 70mm
- Packer plate operated by 2 double acting rams. Cylinder dia: 110mm - rod dia: 70mm
- The commands are optimized to obtain high efficiency without neglecting the safety of the operators
- Compacting system equipped with security system that protects both mechanical and hydraulic parts.

EJECTION PLATE

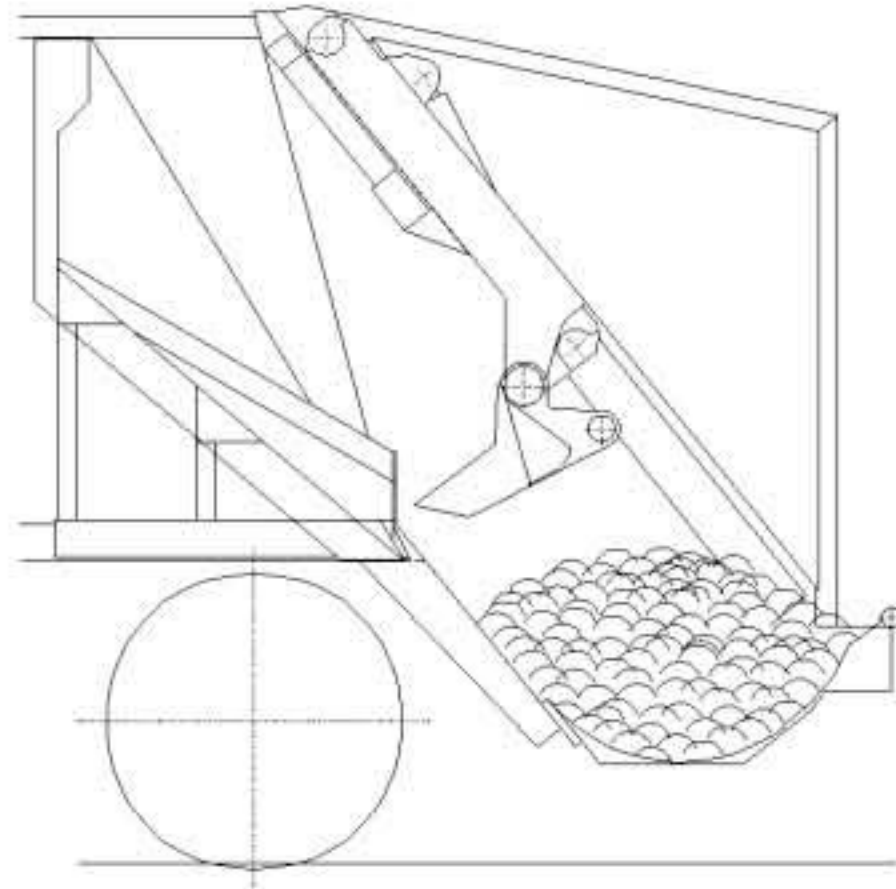
- The refuse is ejected by means of the ejection plate operated by a large chrome-plated double acting telescopic cylinder
- Ejection plate acts as counter pressure plate when charging which gives a very high compaction rate.
- When the rear door is fully opened, the compacting system can be switched on allowing for the hopper to be totally emptied.

ELECTRO-HYDRAULIC EQUIPMENT

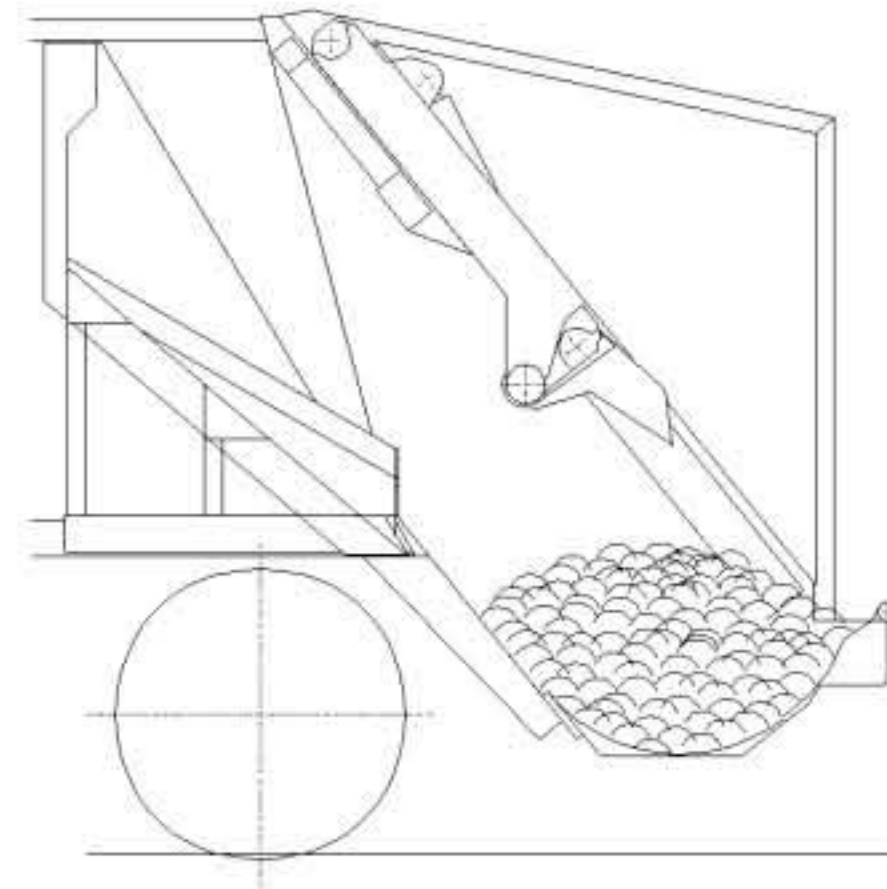
- The system is fed from the oil pump driven by the gearbox PTO.
- Main electro-hydraulic distributor controls the flow and pressure in the hydraulic circuit of the system
- Suction piping fitted with 250micron filter
- Return piping fitted with 25micron filter

REFUSE TRUCK PUSHER 4000

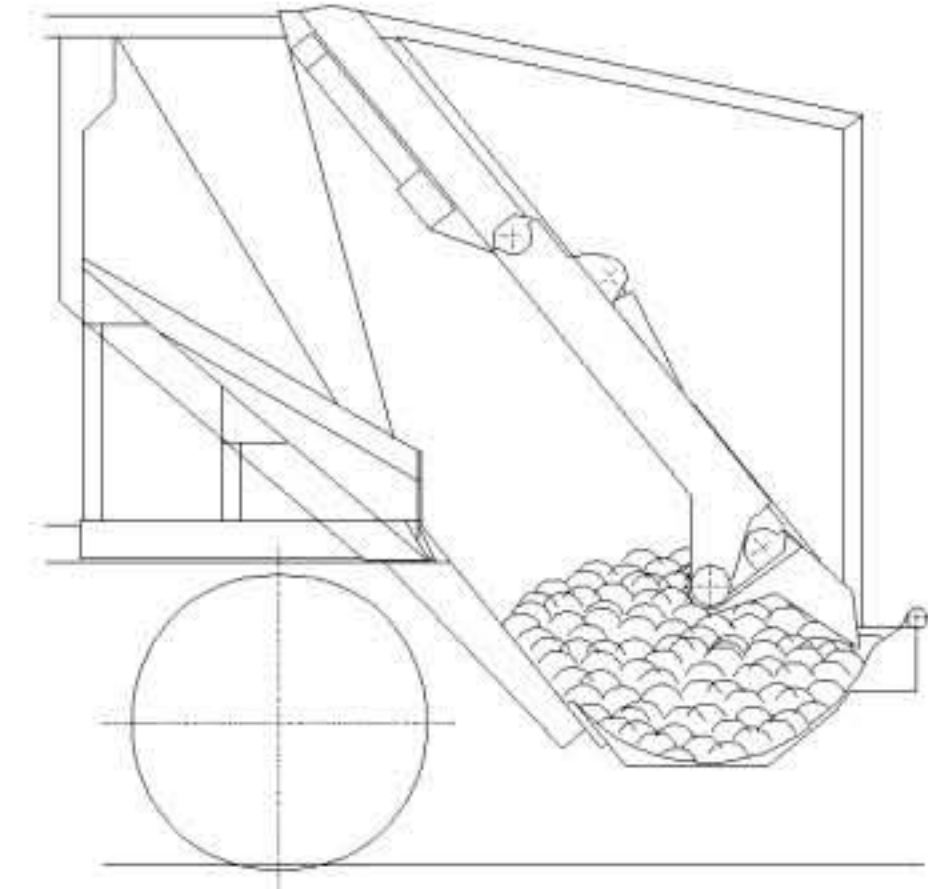
:00



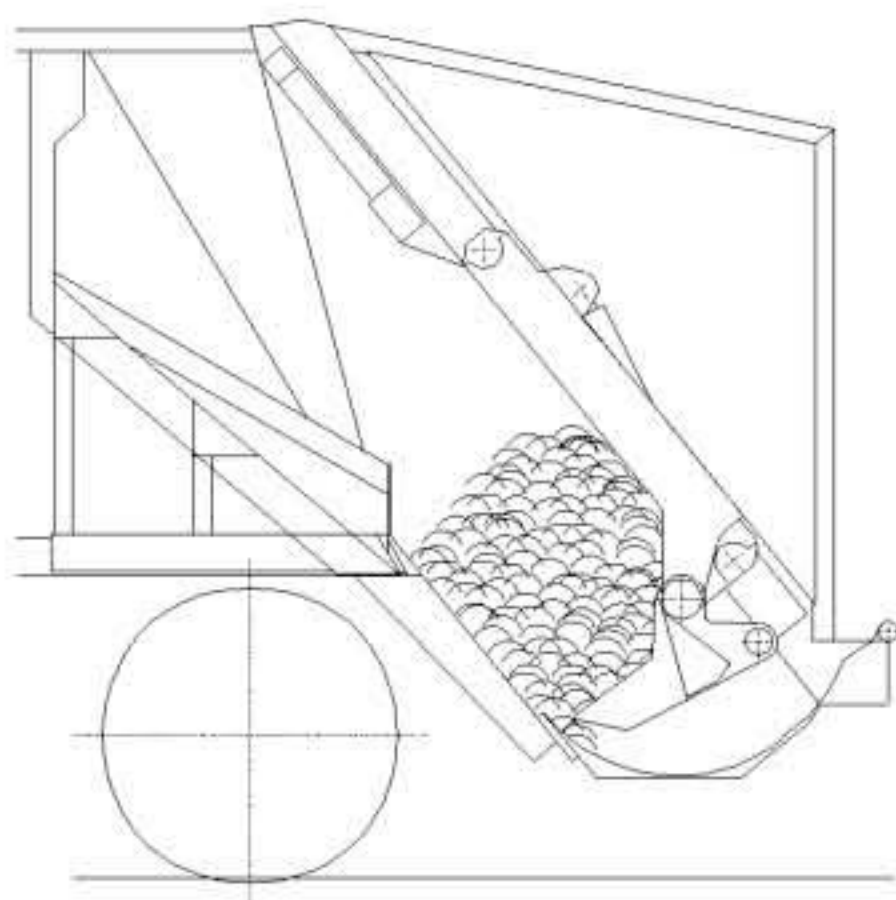
:04



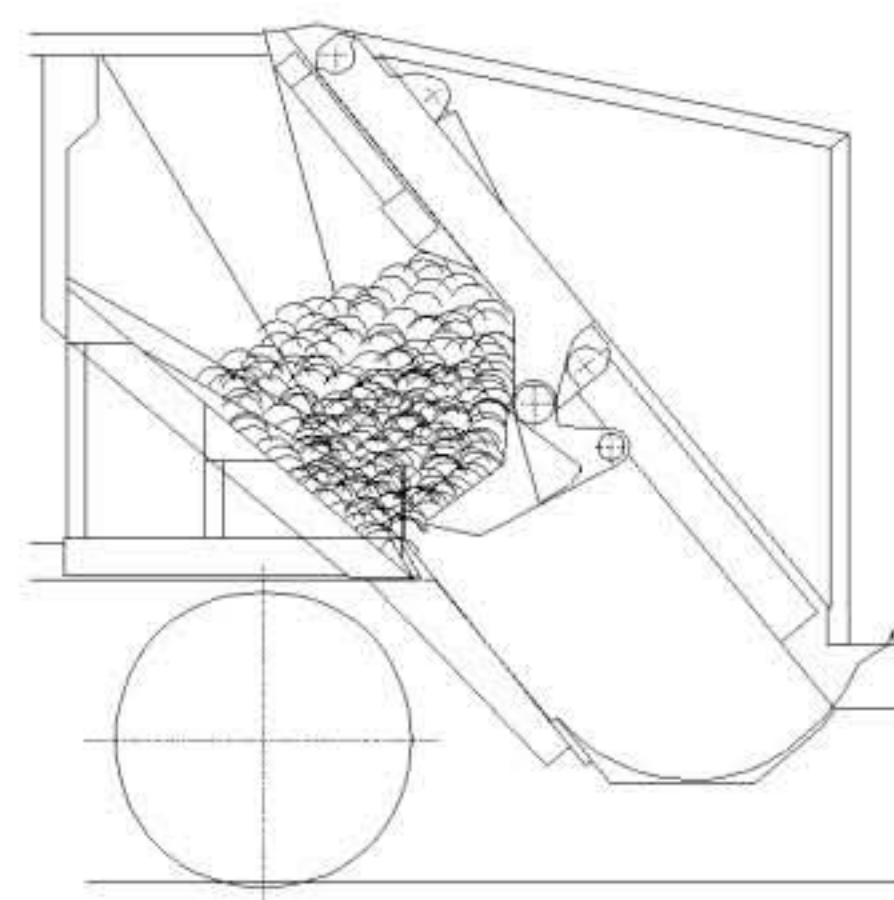
:09



:15



:23



SAFETY DEVICES AND ACCOMMODATIONS FOR THE LOADERS

- Acoustic signal on left and right hand side at the rear
- Double road lights with rear lights, stop lights and indication lights
- 2 large red emergency stop buttons situated on each side of the loading rave. The driver can stop the mechanism from the cab.
- Two-hands control for lowering the rear door
- Reflectors to comply with regulations
- Mudguards to the rear wheels
- 2 safety supports
- Beacon and work light at the back on superstructure

PAINTING

- Refuse collection body is completely degreased, phosphated and cleaned
- Whole unit is painted in a high build two pack epoxy-acrylic primer with high protection against corrosion. The surface treatment is further finished with 2 coatings high build two pack acrylic lacquer with outstanding weather resistance.

STANDARD OTPTIONS

- Bin lifters
- Metal toolbox
- Extra beacons
-